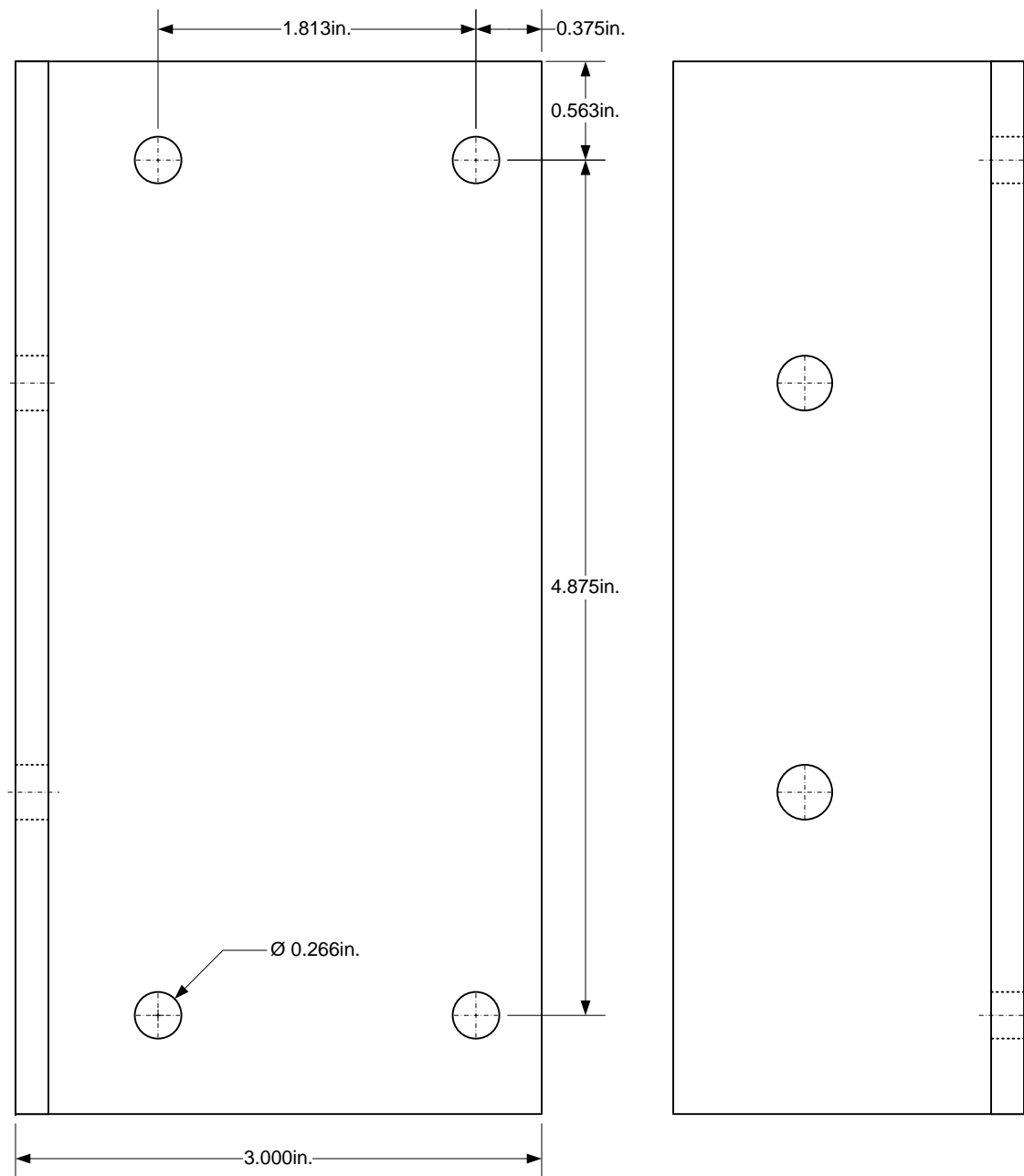
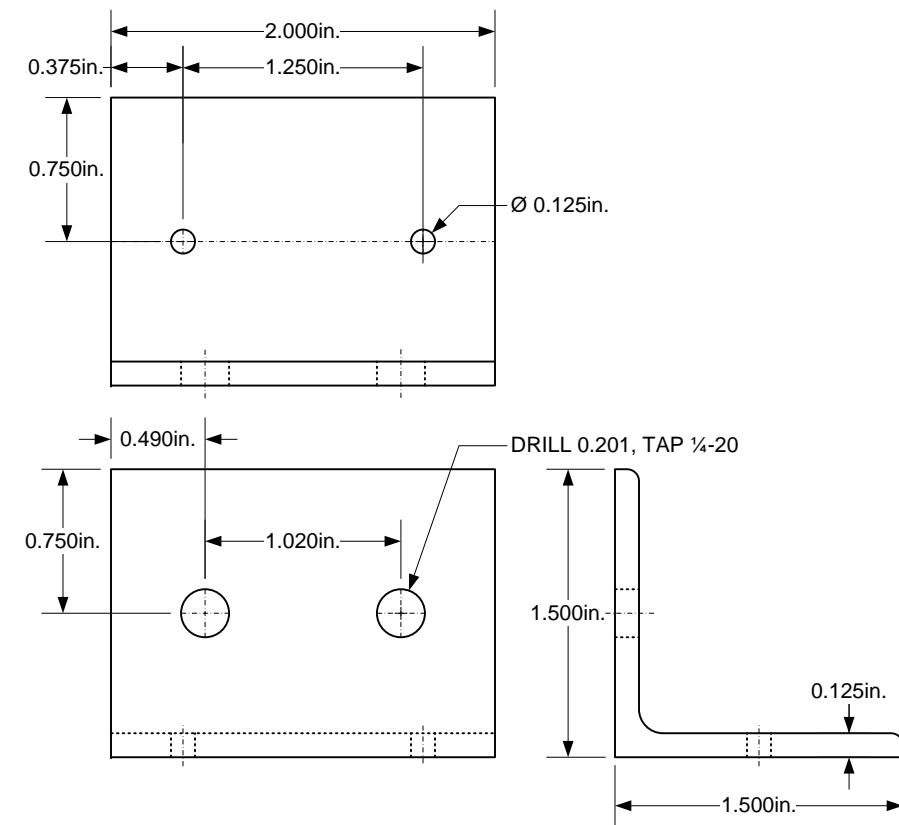


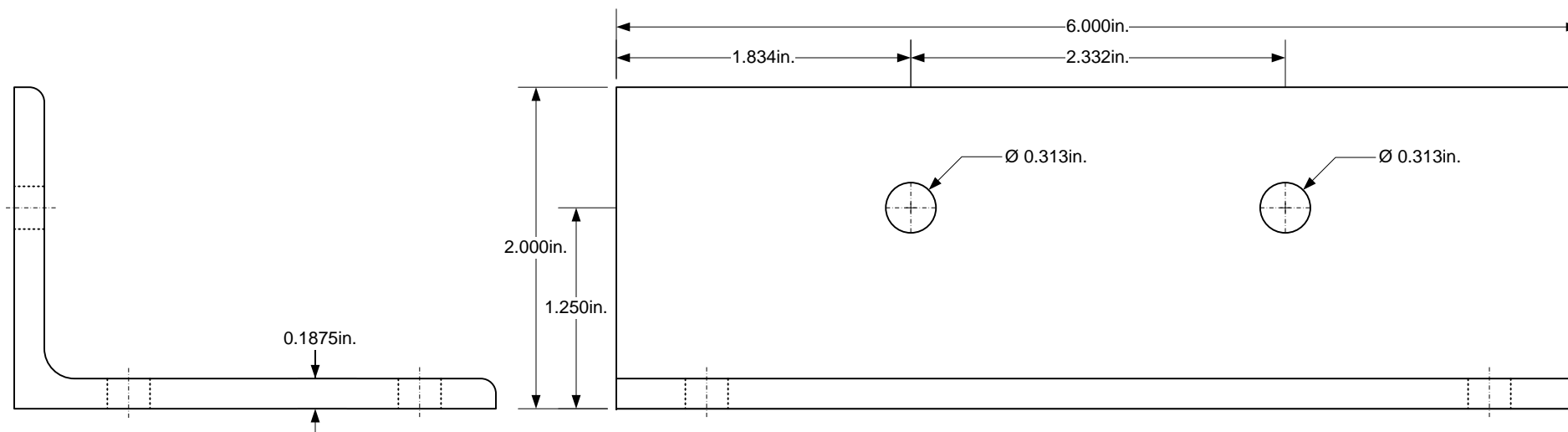
DRN: A. BAKER	02/01/12	KG4JJH		
		5-ELEMENT 6M LFA YAGI ASSEMBLY		
		SCALE: 1/16:1	1 OF 2	REV. 0



BOOM CLAMP
 REQ'D: 2 EA
 MATERIAL: 2" x 3" x 3/16" ALUMINUM ANGLE



DRIVEN ELEMENT CLAMP MOUNT
 REQ'D: 2 EA
 MATERIAL: 1-1/2" x 1-1/2" x 1/8" ALUMINUM CHANNEL



DRN: A. BAKER	02/01/12	KG4JJH		
		5-ELEMENT 6M LFA YAGI BRACKET DETAILS		
		SCALE: 1:1	2 OF 2	REV. 0

