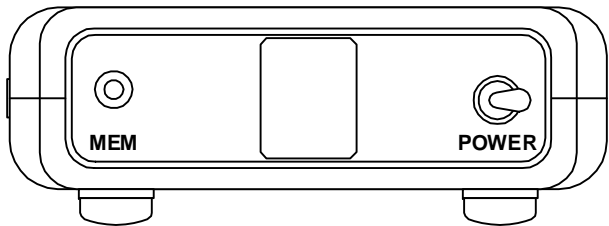


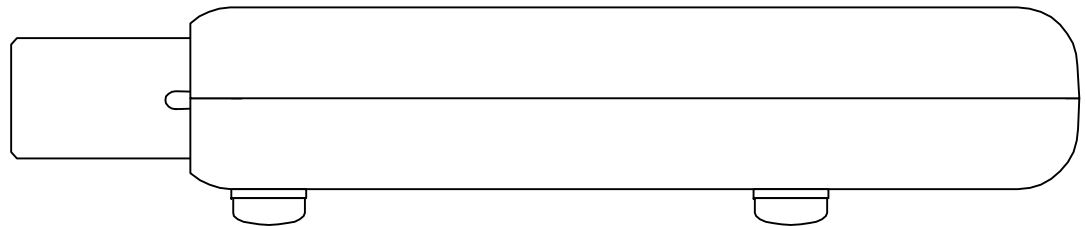
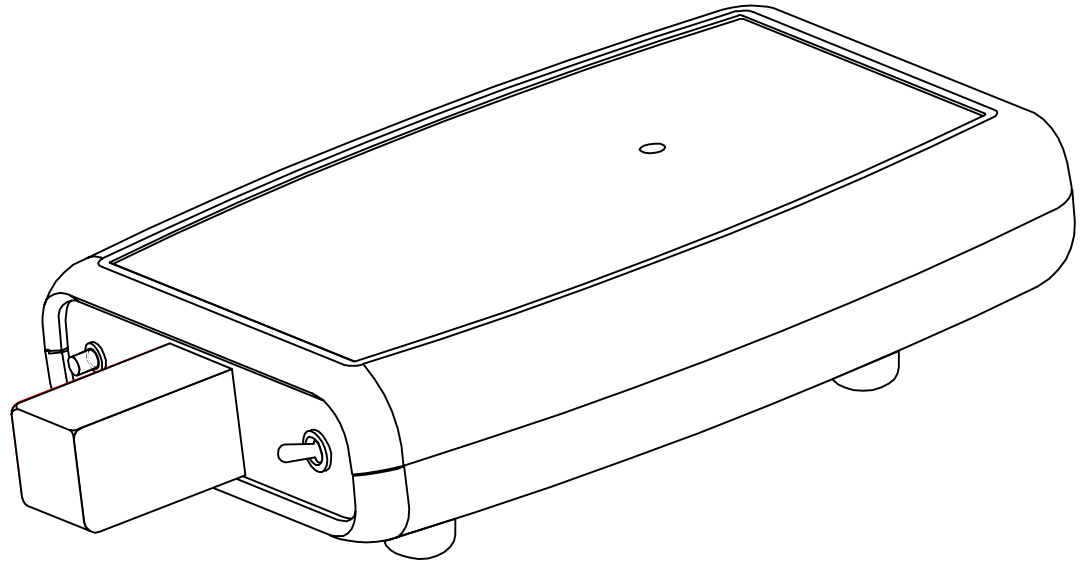
DIT

DAH



MEM

POWER



DESIGN: KG4JJH	03/27/06
TESTED: NG4T	04/27/06



KG4JJH

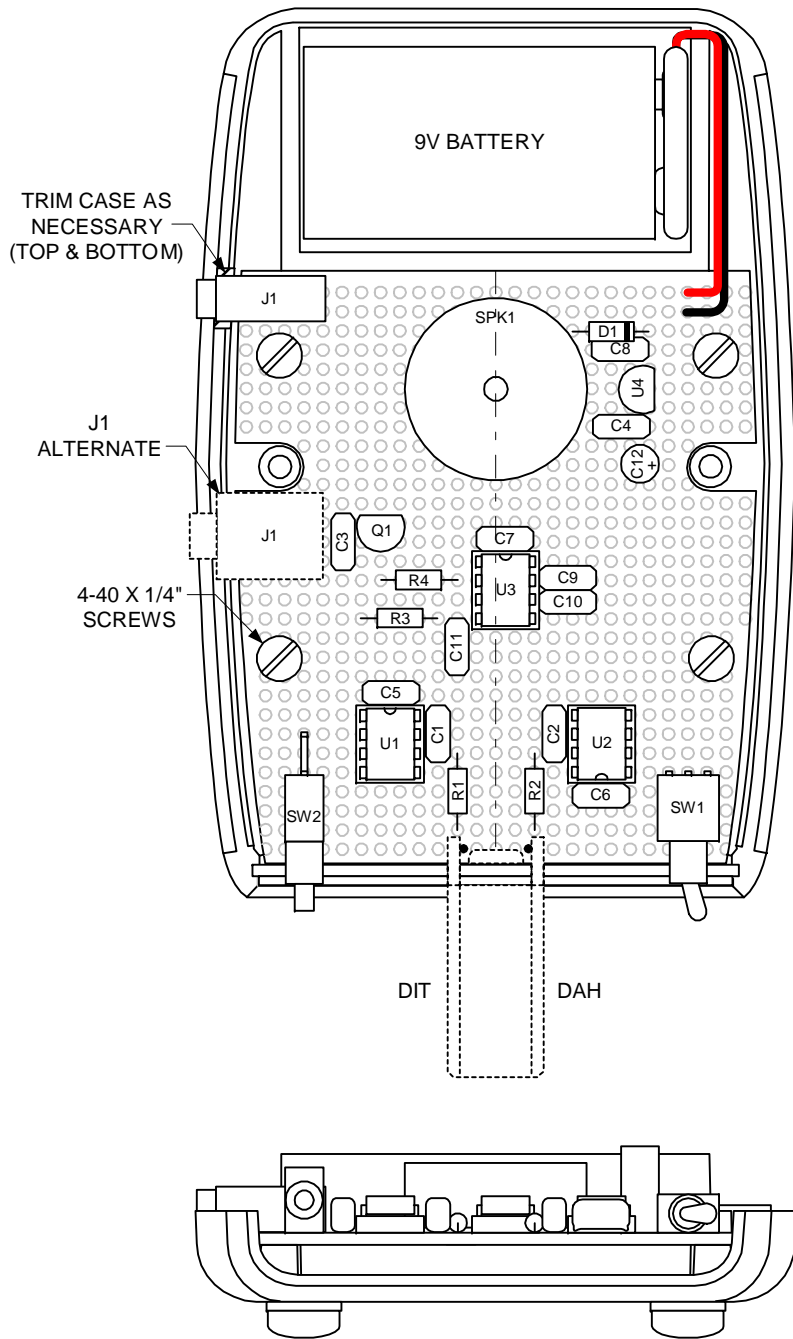


**TOUCH PADDLE KEYS
ASSEMBLY**

SCALE: 1:1

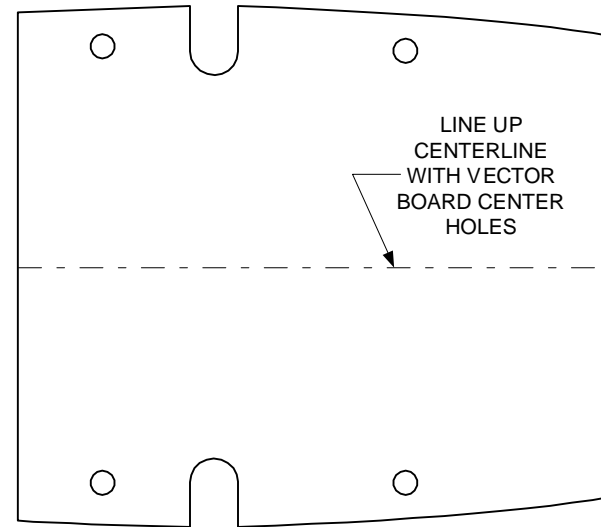
SHEET 1 OF 3

REV. 0

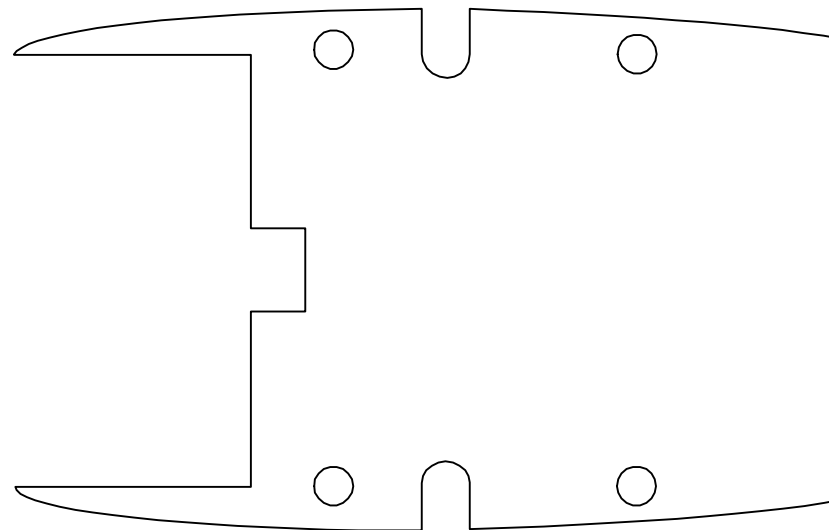


VECTOR BOARD DETAILS
(SHOWN WITH FRONT PANEL & TOP COVER REMOVED)

0.0 in. 0.6 in. 1.0 in. 2.0 in.



VECTOR BOARD TEMPLATE

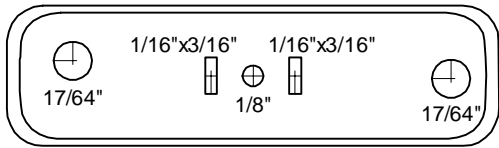


LEAD SHEET TEMPLATE

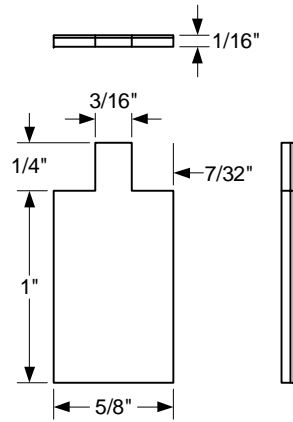
DESIGN: KG4JJH	03/27/06
TESTED: NG4T	04/27/06

KG4JJH

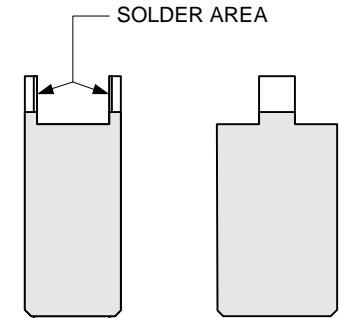
TOUCH PADDLE KEYS
VECTOR BOARD DETAILS



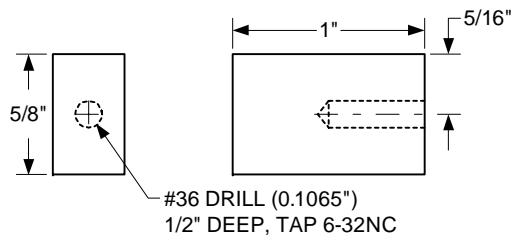
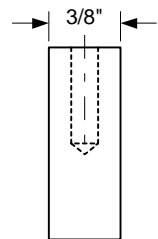
FRONT PANEL CUTOUTS



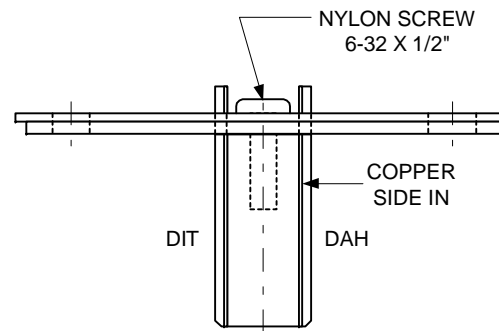
PADDLE SENSING ELECTRODES
MATERIAL: 1/16" CU CLAD FIBERGLASS



PADDLE ASSEMBLY
MASK SOLDER AREA AND
SPRAY ASSEMBLY WITH
PLASTI-DIP



PADDLE FRAME
MATERIAL: 3/8" MDF



FRONT PANEL PADDLE ASSEMBLY
GLUE COPPER CLAD BOARD TO MDF (COPPER
SIDE IN) & SAND EDGES

0.0 in. 0.6 in. 1.0 in. 2.0 in.



DESIGN: KG4JJH	03/27/06	 KG4JJH
TESTED: NG4T	04/27/06	
TOUCH PADDLE KEYS PANEL CUTOUTS & PADDLE DETAILS		
SCALE: 1:1	SHEET 3 OF 3	REV. 0