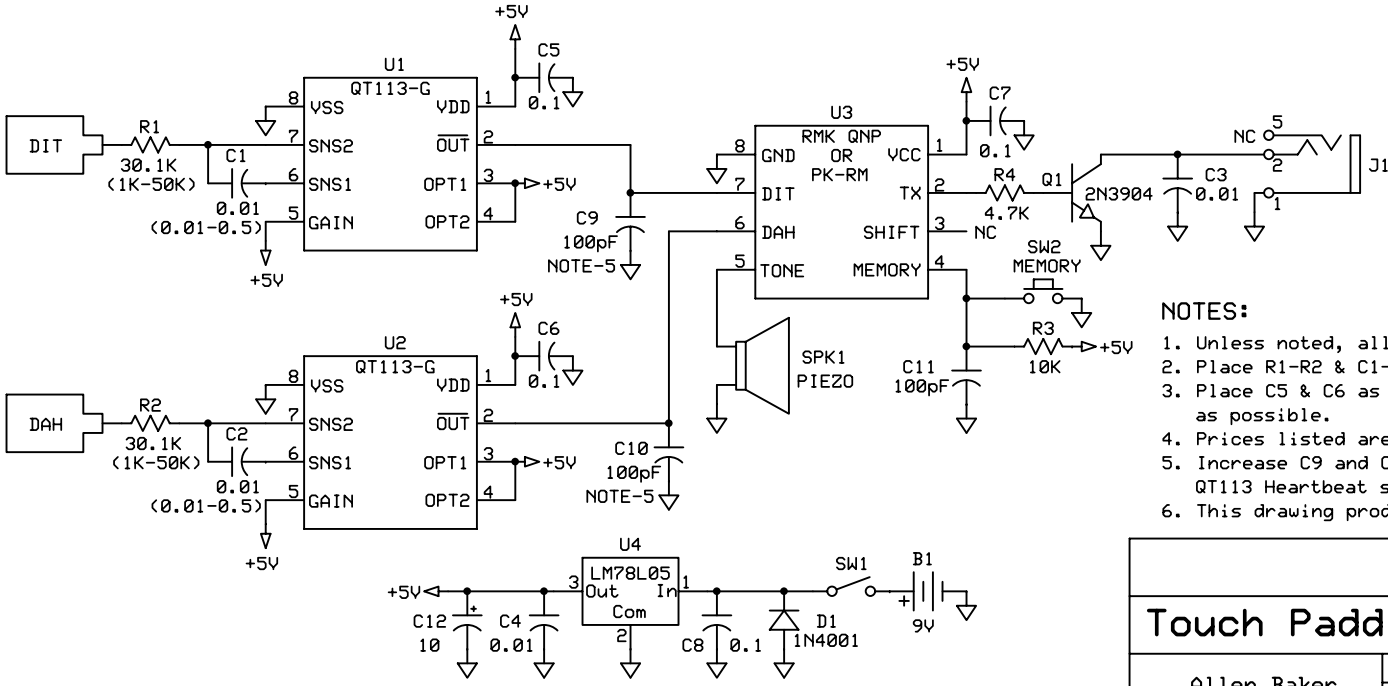


MATERIALS LIST (NOTE 4)

ITEM	QTY	DESCRIPTION	PART NUMBER	SOURCE	EACH	EXTENDED
U1-U2	2	TOUCH SENSOR IC, 8 PIN DIP, QT113-G	427-1095-ND	<a href="http://www.digikey.com/">http://www.digikey.com/</a>	\$5.08	\$10.16
U3	1	KEYER IC, 8 PIN DIP, RMK QNP	RMK QNP	<a href="http://home.att.net/~jacksonharbor/rmk.htm">http://home.att.net/~jacksonharbor/rmk.htm</a>	\$3.00	\$3.00
U3 ALT.	1	KEYER IC, 8 PIN DIP, PICOKEYER	PK-RM	<a href="http://www.hamgadgets.com/">http://www.hamgadgets.com/</a>	\$6.95	\$0.00
U4	1	VOLTAGE REGULATOR, 5V@100mA	512-LM78L05AC2	<a href="http://www.mouser.com/">http://www.mouser.com/</a>	\$0.27	\$0.27
SPK1	1	BUZZER, PIEZOELECTRIC, EFB-RD24C411	P9924-ND	<a href="http://www.digikey.com/">http://www.digikey.com/</a>	\$2.14	\$2.14
R1-R2	3	RESISTOR, 1/4W, 24.9K	271-24.9K-RC	<a href="http://www.mouser.com/">http://www.mouser.com/</a>	\$0.09	\$0.27
R3	1	RESISTOR, 1/4W, 10K	271-10K-RC	<a href="http://www.mouser.com/">http://www.mouser.com/</a>	\$0.09	\$0.09
R4	1	RESISTOR, 1/4W, 4.7K	271-4.7K-RC	<a href="http://www.mouser.com/">http://www.mouser.com/</a>	\$0.09	\$0.09
C1-C4	4	CAPACITOR, CERAMIC, 0.01 uF	581-SR215C103JAR	<a href="http://www.mouser.com/">http://www.mouser.com/</a>	\$0.36	\$1.44
C5-C8	4	CAPACITOR, CERAMIC, 0.1 uF	581-SR215C104JAR	<a href="http://www.mouser.com/">http://www.mouser.com/</a>	\$0.42	\$1.68
C9-C11	3	CAPACITOR, CERAMIC, 100 pF	581-SR151A101JAR	<a href="http://www.mouser.com/">http://www.mouser.com/</a>	\$0.15	\$0.45
C12	1	CAPACITOR, ELECTROLYTIC, 10 uF	140-XRL16V10	<a href="http://www.mouser.com/">http://www.mouser.com/</a>	\$0.06	\$0.06
SW1	1	SWITCH, TOGGLE, SPST	108-2MS1T2B2M6QE-EVX	<a href="http://www.mouser.com/">http://www.mouser.com/</a>	\$3.41	\$3.41
SW2	1	SWITCH, PB, SPDT, NORMALLY OPEN	107-3025-EVX	<a href="http://www.mouser.com/">http://www.mouser.com/</a>	\$2.66	\$2.66
Q1	1	TRANSISTOR, NPN, 2N3904	625-2N3904	<a href="http://www.mouser.com/">http://www.mouser.com/</a>	\$0.05	\$0.05
J1	1	JACK, PHONE, 3.5MM, STEREO	161-3507	<a href="http://www.mouser.com/">http://www.mouser.com/</a>	\$0.71	\$0.71
D1	1	DIODE, 1N4001	512-1N4001	<a href="http://www.mouser.com/">http://www.mouser.com/</a>	\$0.05	\$0.05
-	3	SOCKET, 8 PIN DIP	575-893308	<a href="http://www.mouser.com/">http://www.mouser.com/</a>	\$0.42	\$1.26
-	1	ENCLOSURE, 9V BATTERY COMPARTMENT	546-1553BBKBAT	<a href="http://www.mouser.com/">http://www.mouser.com/</a>	\$9.00	\$9.00
-	1	VECTOR BOARD	574-64P44WE	<a href="http://www.mouser.com/">http://www.mouser.com/</a>	\$6.06	\$6.06
PADDLE	1	COPPER CLAD BOARD, 1/16" THK	590-503	<a href="http://www.mouser.com/">http://www.mouser.com/</a>	\$2.75	\$2.75
LEAD	1	LEAD SHEET, 1/16" THK	SPB-062	<a href="http://www.smallparts.com/">http://www.smallparts.com/</a>	\$4.60	\$4.60

TOTAL: \$50.20



- NOTES:
1. Unless noted, all capacitors in uF, resistors in ohms.
  2. Place R1-R2 & C1-C2 as close to U1 and U2 as possible.
  3. Place C5 & C6 as close to the power pin of U1 & U2 as possible.
  4. Prices listed are current as of 03/27/06.
  5. Increase C9 and C10 to 0.1uF or larger to eliminate QT113 Heartbeat signal interference..
  6. This drawing produced with ExpressSCH.

<b>KG4JJH</b>		
<b>Touch Paddle Keyer Schematic</b>		
Allen Baker	Rev 1 6/26/2008	Page 1 of 1