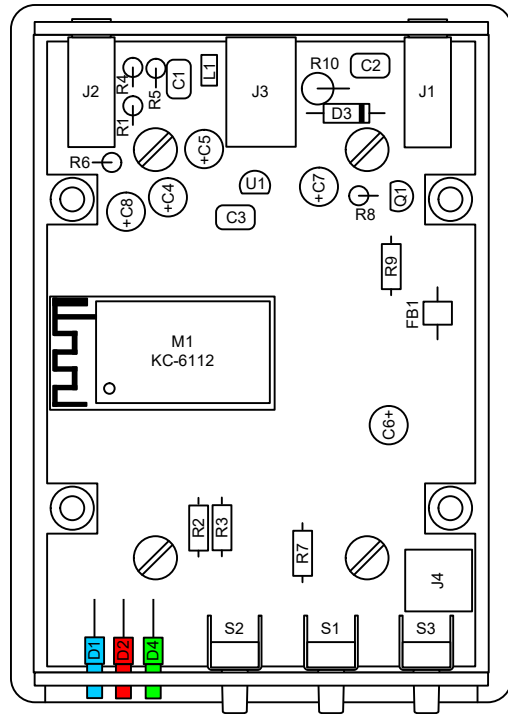
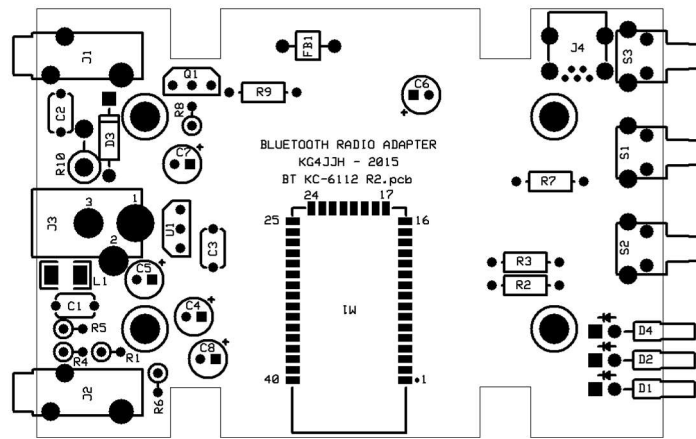
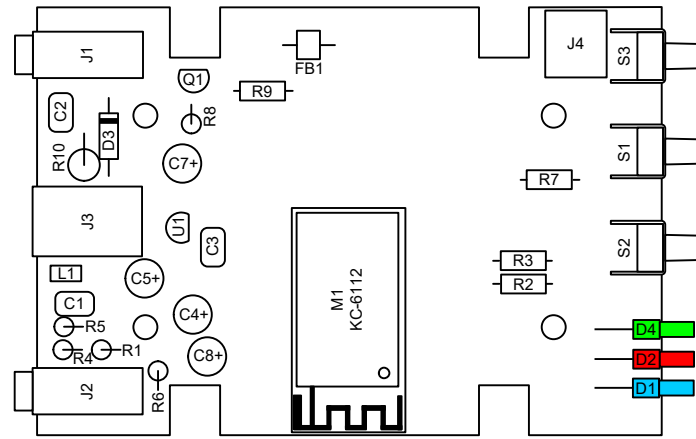


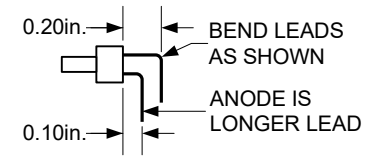
DESIGN: A. BAKER	01/18/13	KG4JJH		
REV 1: A. BAKER	09/01/13			
REV 2: J GIAMMANCO	12/14/14			
		BLUETOOTH RADIO ADAPTER ASSEMBLY		
		SCALE: 1:1	1 OF 3	REV. 2



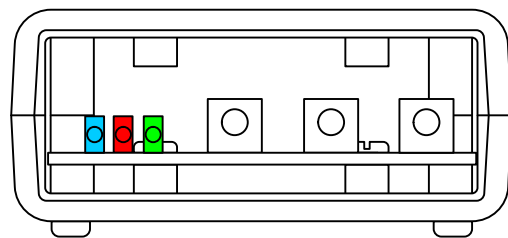
TOP VIEW



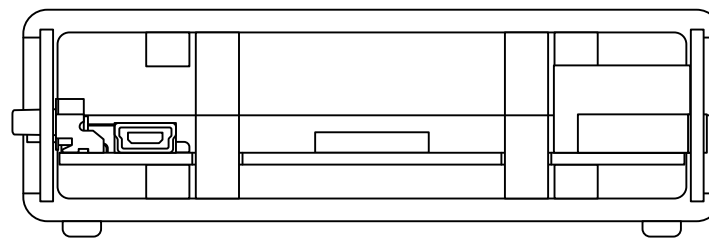
PC BOARD ASSEMBLY



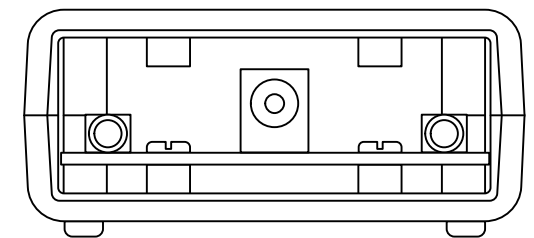
LED MOUNTING DETAIL



FRONT VIEW

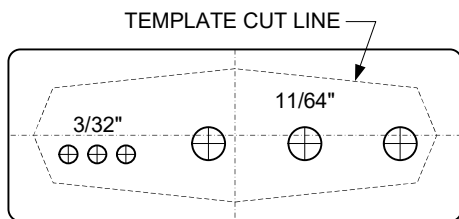


SIDE VIEW

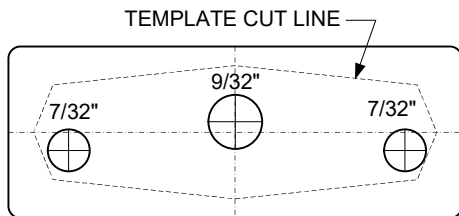


REAR VIEW

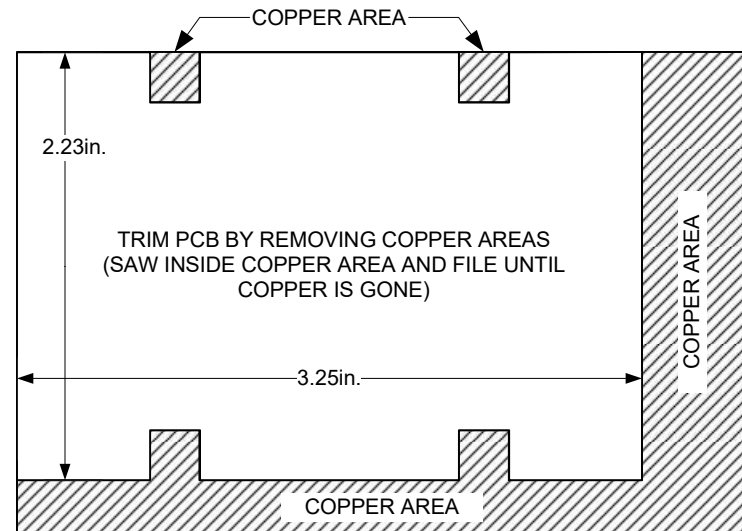
DESIGN: A. BAKER	01/18/13	KG4JJH
REV 1: A. BAKER	09/01/13	
REV 2: J GIAMMANCO	12/14/14	
		BLUETOOTH RADIO ADAPTER DETAILS
		SCALE: 1:1
		2 OF 3
		REV. 2



FRONT PANEL



REAR PANEL



PC BOARD OUTLINE
Using File: "BT KC-6112 R2 MiniBoard.pcb"
and ExpressPCB MiniBoard Service

PRINT WITH ADOBE ACROBAT PAGE
SCALING SET TO NONE

DESIGN: A. BAKER	01/18/13	KG4JJH		
REV 1: A. BAKER	09/01/13			
REV 2: J GIAMMANCO	12/14/14			
		BLUETOOTH RADIO ADAPTER CUTOUT & DRILL TEMPLATES		
		SCALE: 1:1	3 OF 3	REV. 2